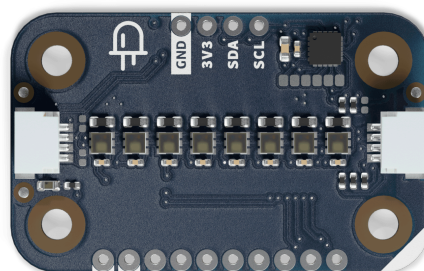


User Manual
SKU: ABX00109



Description

The Modulino® Pixels features **eight LC8822-2020 RGB LEDs** driven by an on-board **STM32C011F4** microcontroller. This setup enables simple I2C connectivity for controlling colorful visual effects, animations, or status indications in a wide variety of projects.

Target Areas

Maker, beginner, education



Contents

1 Application Examples	3
2 Features	4
2.1 Contents	4
3 Related Products	4
4 Rating	4
4.1 Recommended Operating Conditions	4
5 Power Tree	5
6 Block Diagram	5
7 Functional Overview	6
7.1 Technical Specifications	6
7.2 Pinout	7
7.3 Power Specifications	9
7.4 Mechanical Information	9
7.5 I2C Address Reference	10
8 Device Operation	11
9 Certifications Summary	11
10 Declaration of Conformity CE DoC (EU)	11
11 Declaration of Conformity to EU RoHS & REACH 211 01/19/2021	
12 FCC WARNING	13
13 IC Caution	13
14 Conflict Minerals Declaration	13



1 Application Examples

- **Colorful Displays** Create dynamic LED patterns, color indicators, or simple pixel-art displays.
- **Notifications & Alerts** Represent sensor data or status updates (e.g., temperature ranges, motion detection) via color-coded lights.
- **Interactive Installations** Combine with other Modulino® nodes (e.g., Knob or Buttons) to build interactive lighting dashboards or IoT displays.



2 Features

- **Eight LC8822-2020 RGB LEDs** providing individually addressable full-color output.
- **STM32C011F4** microcontroller that manages LED control over I2C.
- **3.3V** operation via the Qwiic interface; supports 2.0V–3.6V supply range on the MCU.
- **SWD** header for reprogramming and advanced control.
- Ideal for **lighting effects, progress bars**, or any **multi-color** output in maker projects.

2.1 Contents

SKU	Name	Purpose	Quantity
ABX00109	Modulino® Pixels	8× individually addressable RGB LEDs	1
	I2C Qwiic cable	Compatible with the Qwiic standard	1

3 Related Products

- *SKU: ASX00027* – Arduino® Sensor Kit
- *SKU: K000007* – Arduino® Starter Kit
- *SKU: AKX00026* – Arduino® Oplà IoT Kit

4 Rating

4.1 Recommended Operating Conditions

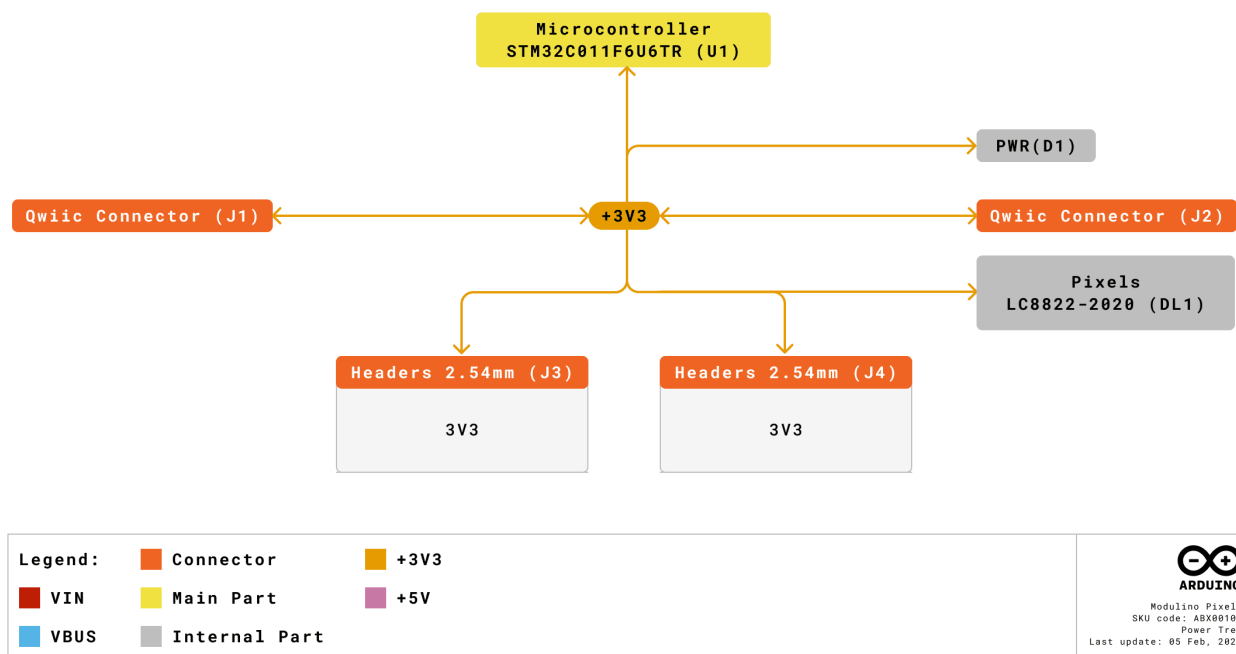
- **Microcontroller supply range:** 2.0V – 3.6V (STM32C011F4)
- **Powered at 3.3V** through the Qwiic interface (in accordance with the Qwiic standard)
- **Operating temperature:** –40 °C to +85 °C

Typical current consumption:

- Up to **33 mA per RGB LED** at full brightness * 8 LEDs (264 mA total), plus ~3.4 mA for the microcontroller. Actual usage depends on brightness and color settings.

5 Power Tree

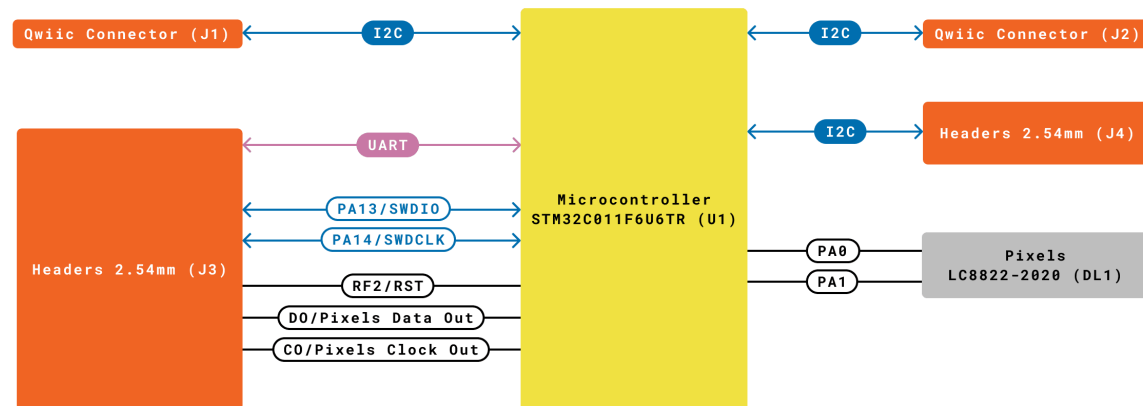
The power tree for the Modulino® node can be consulted below:



Modulino® Pixels Power Tree

6 Block Diagram

This module includes an STM32C011F4 microcontroller managing eight LC8822-2020 RGB LEDs. It communicates with the host via I2C by default but can be reprogrammed via SWD for custom functionality.



Modulino® Pixels block diagram

7 Functional Overview

The Modulino® Pixels node uses the on-board **STM32C011F4** to handle LED data and provide an I2C interface. Each of the eight **LC8822-2020 RGB LEDs** can be addressed and controlled individually for color and brightness. Advanced users may reprogram the MCU (via SWD) to alter LED control logic or to interface via other protocols.

7.1 Technical Specifications

Specification	Details
Microcontroller	STM32C011F4 (handles I2C, LED driving logic)
LEDs	8× LC8822-2020 RGB LEDs
Supply Voltage	3.3 V
Power Consumption	~80 mA
Communication	I2C (Qwiic), SWD (debug/reprogram), optional UART/SPI if reprogrammed

7.2 Pinout

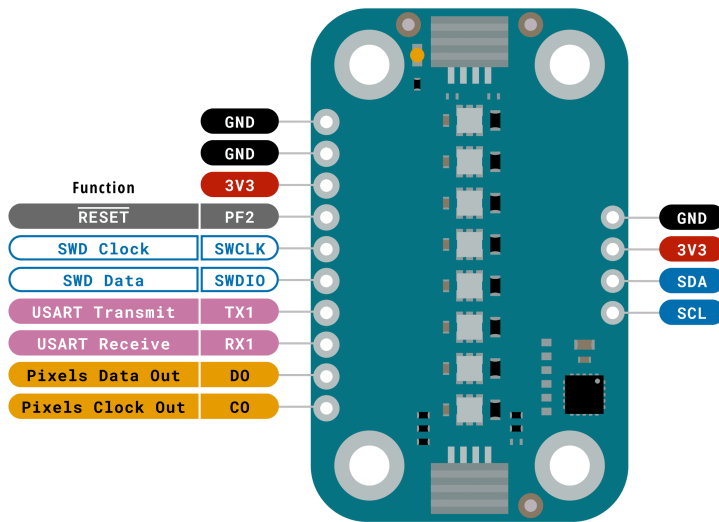
Qwiic / I2C (1×4 Header)

Pin	Function
GND	Ground
3.3V	Power Supply (3.3V)
SDA	I2C Data
SCL	I2C Clock

These pads and the Qwiic connectors share the same I2C bus at 3.3V.

Additional 1×10 Header (LED & MCU Signals)

Pin	Function
GND	Ground
GND	Ground
3V3	3.3 V Power
RESET	Reset
SWCLK	SWD Clock
SWDIO	SWD Data
TX1	USART Transmit
RX1	USART Receive
D0	Pixels Data Out
C0	Pixels Clock Out



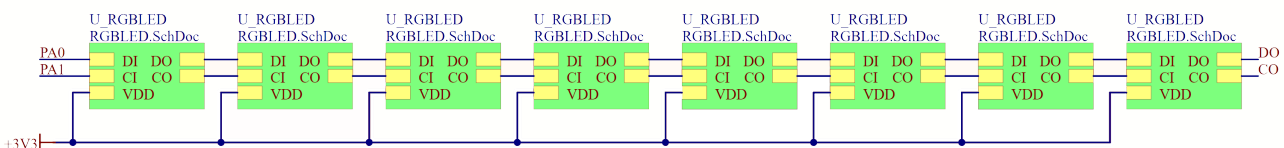
Legend:	Digital	I2C	Other SERIAL
Power	Analog	SPI	Analog
Ground	Main Part	UART/USART	PWM/Timer

Modulino Pixels
SKU code: ABX00109
Pinout
Last update: 18 Jun, 2024

Pinout Overview

The header can be used to add more LC8822-2020 RGB's LED in a daisy chain configuration. Built-in LEDs open for extension

It also has other I2C interface controller IC pins usable for other purposes or for reprogramming it using its SWD interface. These provide a place to mount header pins if desired.

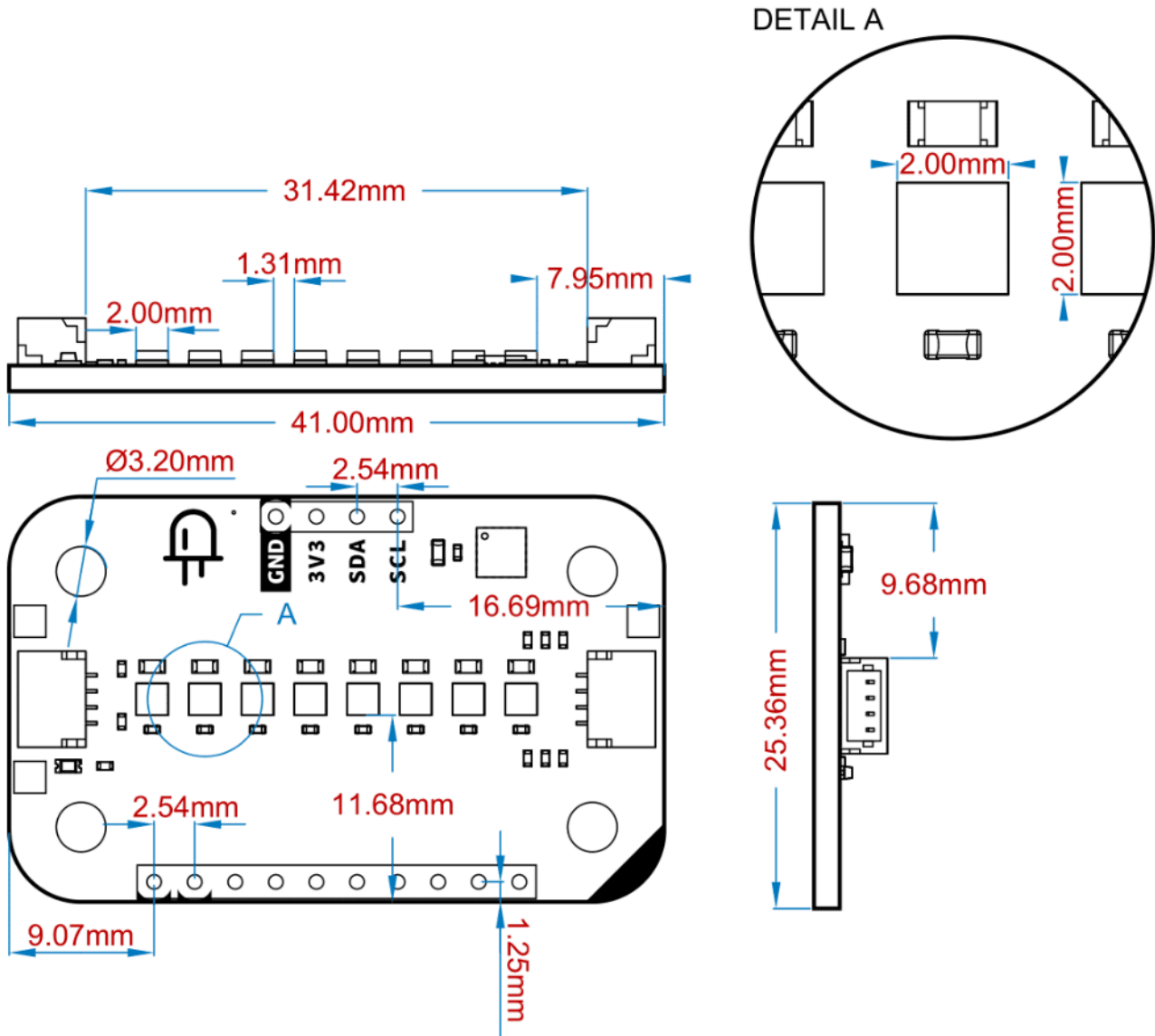


LED extension

7.3 Power Specifications

- **Nominal operating voltage:** 3.3V via Qwiic
- **MCU voltage range:** 2.0V–3.6V

7.4 Mechanical Information



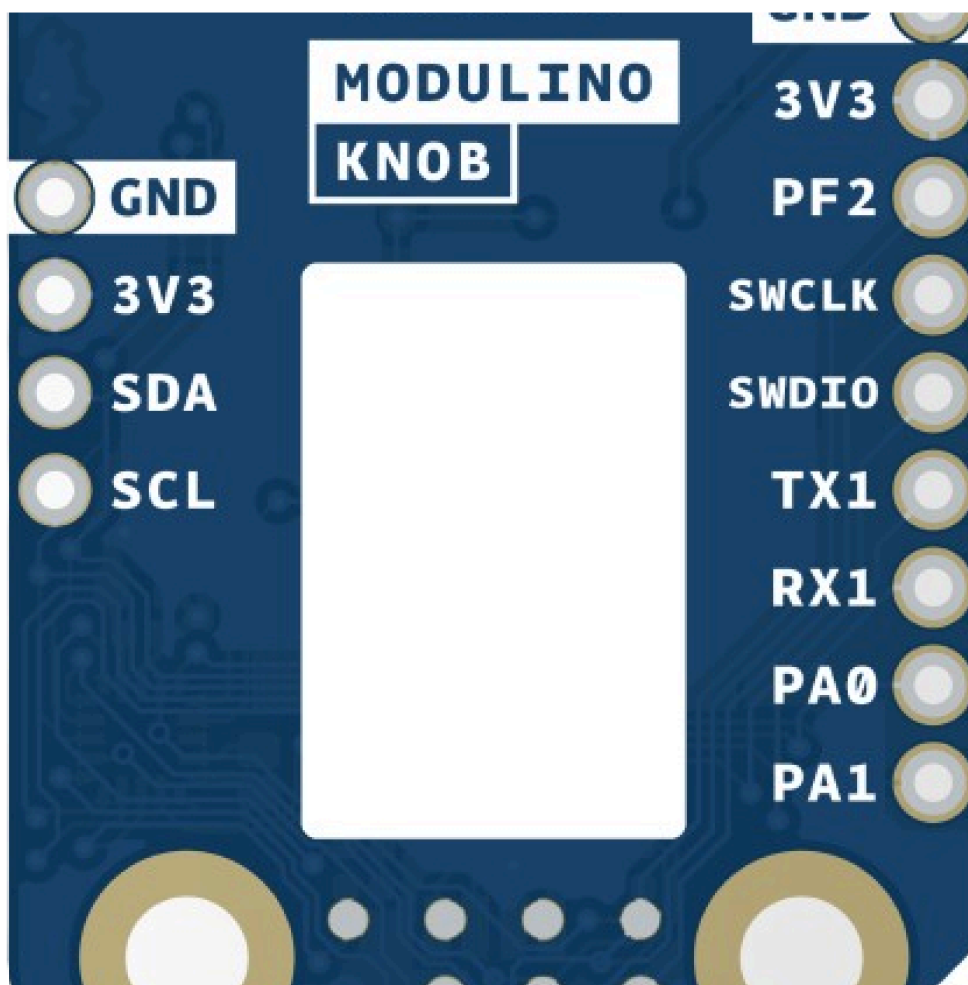
Modulino® Pixels Mechanical Information

- Board dimensions: 41 mm × 25.36 mm
- Thickness: 1.6 mm (±0.2 mm)
- Four mounting holes (Ø3.2 mm)
 - Hole spacing: 16 mm vertically, 32 mm horizontally

7.5 I2C Address Reference

Board Silk Name	Sensor/Actuator	Modulino® I2C Address (HEX)	Editable Addresses (HEX)	Hardware I2C Address (HEX)
MODULINO PIXELS	8× LC8822-2020 RGB LEDs	0x6C	Any custom address (via FW config)	0x36

Note: Default address is **0x6C**. You can change it via the Modulino® library or custom firmware. A white rectangle on the board silk can be used to record a new address.



Blank silk for identification



8 Device Operation

By default, this node operates as an I2C target device on the Qwiic bus. The integrated microcontroller receives LED control commands and drives each of the eight LC8822-2020 RGB LEDs. For advanced usage, you may reprogram the microcontroller to add different communication protocols or custom LED driving modes.

Use any 3.3V microcontroller or Arduino board. The official Modulino® libraries facilitate controlling the RGB LEDs with easy I2C commands to set colors, brightness, or special effects. Make sure your power supply can handle the current draw if driving all LEDs at full brightness.

Certifications

9 Certifications Summary

Certification	Status
CE/RED (Europe)	Yes
UKCA (UK)	Yes
FCC (USA)	Yes
IC (Canada)	Yes
RoHS	Yes
REACH	Yes
WEEE	Yes

10 Declaration of Conformity CE DoC (EU)

We declare under our sole responsibility that the products above are in conformity with the essential requirements of the following EU Directives and therefore qualify for free movement within markets comprising the European Union (EU) and European Economic Area (EEA).

11 Declaration of Conformity to EU RoHS & REACH 211 01/19/2021

Arduino boards are in compliance with RoHS 2 Directive 2011/65/EU of the European Parliament and RoHS 3 Directive 2015/863/EU of the Council of 4 June 2015 on the restriction of the use of certain hazardous substances in electrical and electronic equipment.

Substance	Maximum limit (ppm)
Lead (Pb)	1000
Cadmium (Cd)	100
Mercury (Hg)	1000
Hexavalent Chromium (Cr6+)	1000
Poly Brominated Biphenyls (PBB)	1000
Poly Brominated Diphenyl ethers (PBDE)	1000
Bis(2-Ethylhexyl) phthalate (DEHP)	1000
Benzyl butyl phthalate (BBP)	1000
Dibutyl phthalate (DBP)	1000
Diisobutyl phthalate (DIBP)	1000

Exemptions: No exemptions are claimed.

Arduino Boards are fully compliant with the related requirements of European Union Regulation (EC) 1907 /2006 concerning the Registration, Evaluation, Authorization and Restriction of Chemicals (REACH). We declare none of the SVHCs (<https://echa.europa.eu/web/guest/candidate-list-table>), the Candidate List of Substances of Very High Concern for authorization currently released by ECHA, is present in all products (and also package) in quantities totaling in a concentration equal or above 0.1%. To the best of our knowledge, we also declare that our products do not contain any of the substances listed on the "Authorization List" (Annex XIV of the REACH regulations) and Substances of Very High Concern (SVHC) in any significant amounts as specified by the Annex XVII of Candidate list published by ECHA (European Chemical Agency) 1907 /2006/EC.

12 FCC WARNING

This device complies with part 15 of the FCC Rules.

Operation is subject to the following two conditions:

(1) This device may not cause harmful interference, and (2) this device must accept any interference received, including interference that may cause undesired operation.

13 IC Caution

This device complies with Industry Canada licence-exempt RSS standard(s).

Operation is subject to the following two conditions:

(1) This device may not cause interference, and (2) this device must accept any interference, including interference that may cause undesired operation of the device.

14 Conflict Minerals Declaration

As a global supplier of electronic and electrical components, Arduino is aware of our obligations with regard to laws and regulations regarding Conflict Minerals, specifically the Dodd-Frank Wall Street Reform and Consumer Protection Act, Section 1502. Arduino does not directly source or process conflict minerals such as Tin, Tantalum, Tungsten, or Gold. Conflict minerals are contained in our products in the form of solder or as a component in metal alloys. As part of our reasonable due diligence, Arduino has contacted component suppliers within our supply chain to verify their continued compliance with the regulations. Based on the information received thus far we declare that our products contain Conflict Minerals sourced from conflict-free areas.

Company Information

Company name	Arduino SRL
Company Address	Via Andrea Appiani, 25 - 20900 MONZA (Italy)

Reference Documentation

Ref	Link
Arduino IDE (Desktop)	https://www.arduino.cc/en/Main/Software
Arduino Courses	https://www.arduino.cc/education/courses
Arduino Documentation	https://docs.arduino.cc/
Arduino IDE (Cloud)	https://create.arduino.cc/editor
Cloud IDE Getting Started	https://docs.arduino.cc/cloud/web-editor/tutorials/getting-started/getting-started-web-editor
Project Hub	https://projecthub.arduino.cc/
Library Reference	https://github.com/arduino-libraries/
Online Store	https://store.arduino.cc/

Revision History

Date	Revision	Changes
01/07/2025	4	Certification
17/06/2025	3	Nomenclature updates
23/05/2025	2	Fixed pinout table and power info, removed unrelated characteristics
14/05/2025	1	First release